

UVC Chamber Mini Disinfection

Philips UV-C disinfection mini chamber provides the perfect solution to disinfect the surfaces of small belongings, shared devices or objects touched by numerous people, such as a mouse, keyboard, headsets and remote controls. Simply place items into the mini chamber, set the timer for exposing the items to UV-C light with the recommended disinfection scheme. The UV-C disinfection mini chamber can be placed into many different areas, due to its light weight.

Benefits

- Delivers 4-log disinfection rate up to 99.99% to ensure high effectiveness¹.
- Ease of use with touch panel to set time and control the disinfection time: 180 sec/300 sec/600 sec/900sec to disinfect different size objects.
- Modern design, portable size and light weight, which fits easily to the interior of hotel guest rooms, reception areas and office working areas.
- Includes safeguards such as magnetic switch to prevent UVC exposure due to accidental door opening.

Features

- Designed to disinfect all surfaces of the individual object with UV-C radiation coverage thanks to embedded high reflected metal plate.
- Philips 253.7nm UV-C tube emits no ozone during the operation.



UV-C Disinfection Chamber Mini

PRODUCT IMAGE

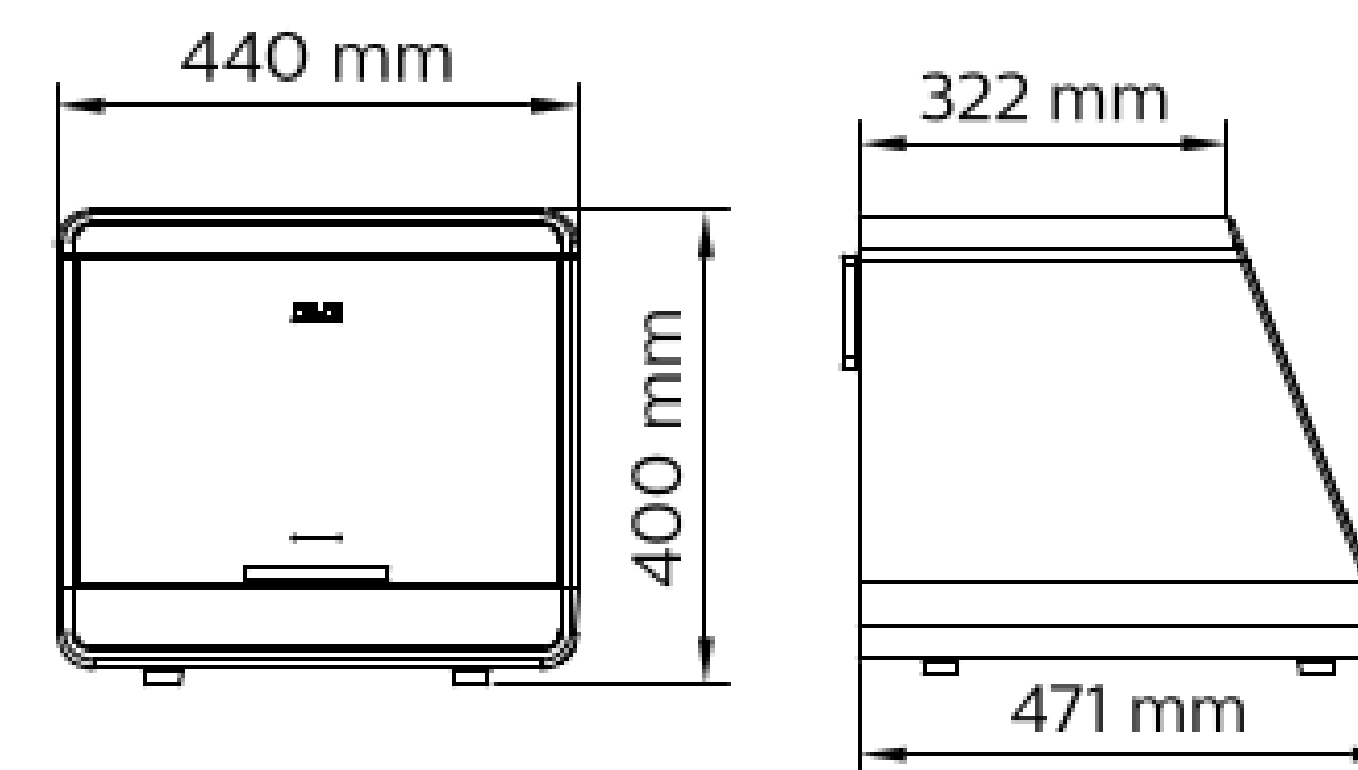
Front side



Left Front side



PRODUCT DIMENSION



APPLICATION FOR PROFESSIONAL USE

The UV-C disinfection mini chamber is ideal for disinfection of multiple small devices, objects and equipment.

Hospitality

Disinfect in guest room: small belongings, keys, remote controls; reception areas: personal belongings.

Office

Disinfect visitors' badges, personal devices.




Retail

Disinfect scanners and badges

SPECIFICATIONS

| | |
|----------------------|---|
| Volume | ~48 L |
| Size | 470*440*400 mm |
| Wattage | 36 w |
| Input Voltage | 220-240V/50/60 Hz |
| Weight | ~9.4 Kg |
| UV-C lamp | 253.7 nm |
| UV Risk Group | Inside chamber RG3; Outside chamber RG0 |

Recommended Disinfection Scheme

| Scenario | Min UV Irradiance | 4 LOG Disinfection Time | Precaution | Recommended Object Layout |
|---------------------------------|--|-------------------------|---|---|
| One small box 100x100x100 mm | 0.96w/m ² (96uw/cm ²) | 300 seconds | The object shall be placed at least 100 mm to left/right sides, 50 mm to front/back sides |  |
| One big box 200x200x150 mm | 0.5w/m ² (50uw/cm ²) | 600 seconds | The object shall be placed at least 100 mm to left/right side, 50 mm to front/back sides |  |
| 3 small box 70x100x70 mm | 0.4w/m ² (40uw/cm ²) | 600 seconds | Objects shall be kept 50mm away from each other and 100mm to left/right sides, 50mm to front/back sides |  |